

**Series** VT6D \* \* \* - B45 - 1 R 00 - C 1 \*

**N** - Shaft seal installed reverse  
**Q** - Special mounting cap with ear orientation of 20° from standard  
**M** = Mobile 1 shaft seal  
**P** = Mobile 2 shaft seal  
**Y** - Metric port connection (not for code 'Q')  
 Omit for UNC

**Cam ring**  
 Volumetric displacement cm<sup>3</sup>/rev (in<sup>3</sup>/rev)

*B14/R14 = 47.6 (2.90)	B35/R35 = 110.0 (6.77)
B17/R17 = 58.2 (3.55)	B38/R38 = 120.3 (7.34)
B20/R20 = 66.0 (4.03)	B42/R42 = 136.0 (8.30)
B24/R24 = 79.5 (4.85)	B45/R45 = 145.7 (8.89)
B28/R28 = 89.7 (5.47)	B50/R50 = 158.0 (9.64)
B31/R31 = 98.3 (6.00)	B61/R61 = 190.5 (11.62)

\*'B' - for Mobile 'R' - for Mobile - spring assisted

**Modifications**

**Seal class**  
 1 - S1 (for mineral oil)  
 4 - S4 (for fire resistant fluids)  
 5 - S5 (for mineral oil and fire resistant fluids)

**Design letter**

**Porting combination**  
 00 - standard

**00**

**01**

**02**

**03**

**S** - Suction port **P** - Pressure port

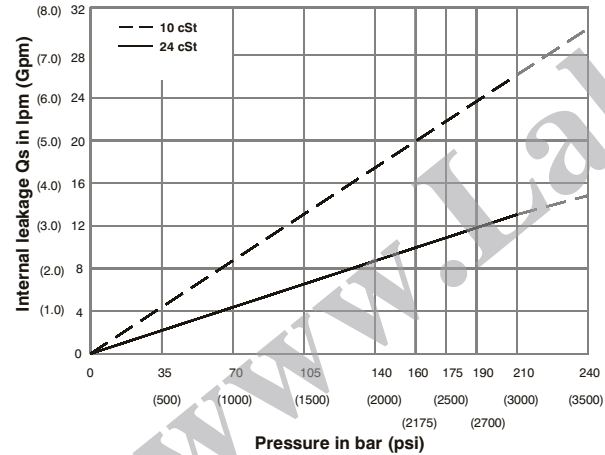
**Direction of rotation (view on shaft end)**  
 R - clockwise  
 L - counter-clockwise

**Type of shaft**

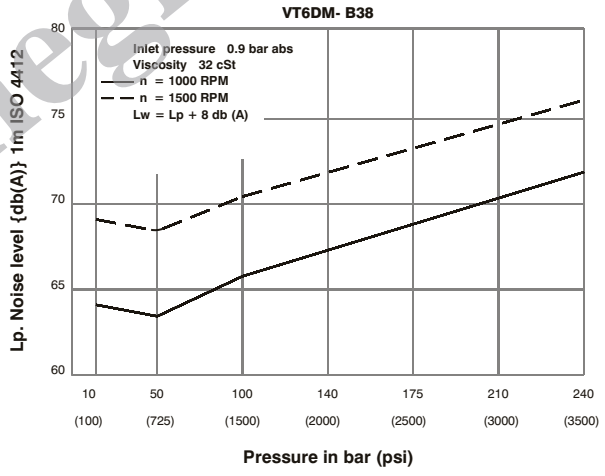
**M version**  
 1 - keyed (SAE C)  
 2 - keyed (no SAE)  
 3 - splined (SAE C)  
 4 - splined (no SAE)  
 T - splined (SAE J718c)

**P version**  
 3 - splined (no SAE)  
 2 - keyed (no SAE)

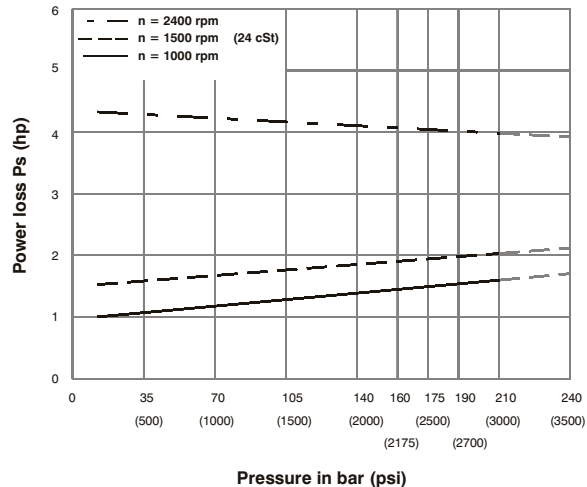
**INTERNAL LEAKAGE (TYPICAL)**



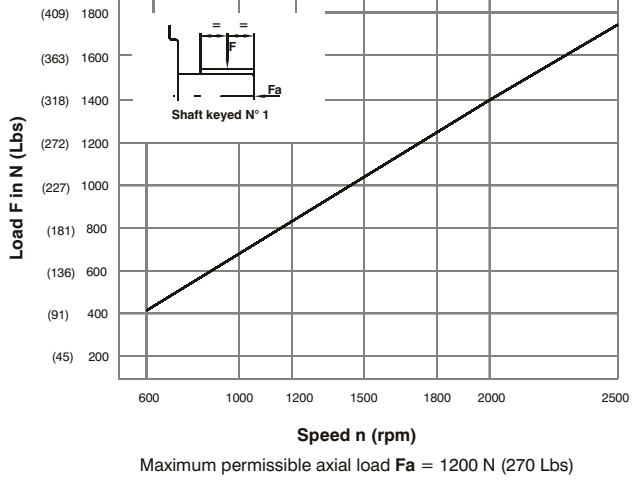
**NOISE LEVEL (TYPICAL)**



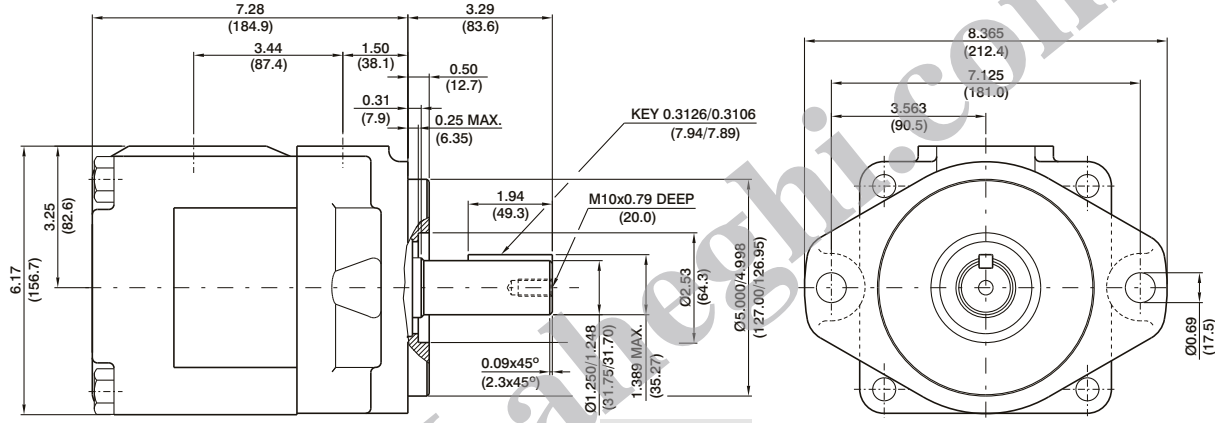
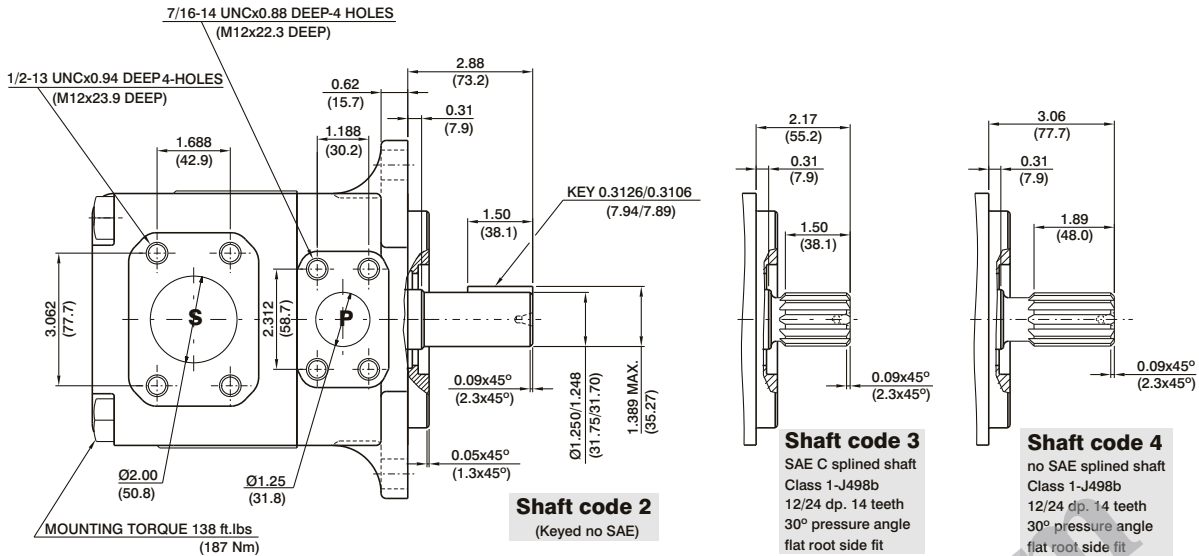
**HYDROMECHANICAL POWER LOSS (TYPICAL)**



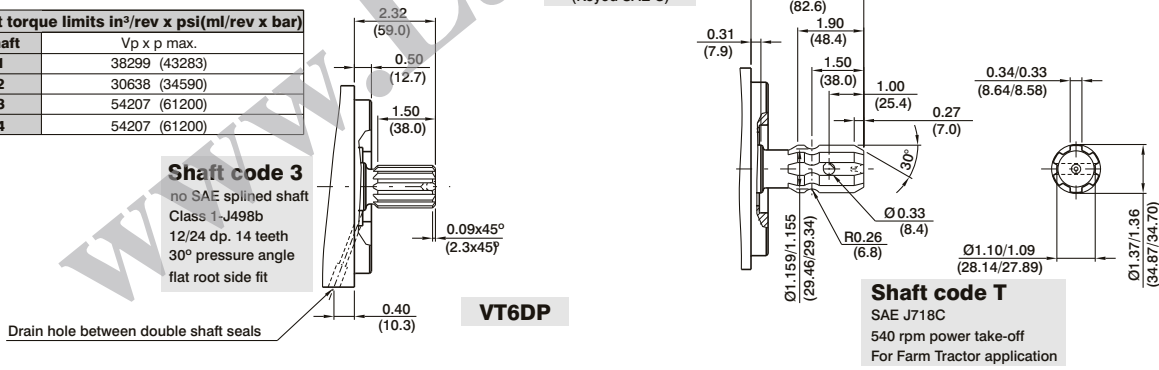
**PERMISSIBLE RADIAL LOAD**



SP



Shaft torque limits in <sup>3</sup> /rev x psi (ml/rev x bar)	
Shaft	Vp x p max.
1	38299 (43283)
2	30638 (34590)
3	54207 (61200)
4	54207 (61200)



## OPERATING CHARACTERISTICS - TYPICAL (24 cST)

Pressure port	Series	Volumetric Displacement Vp		Flow q & n = 1500 rpm						Input power p & n = 1500 rpm					
		p = 0 bar (0 psi)		p = 140 bar (2000 psi)		p = 240 bar (3500 psi)		p = 7 bar (100 psi)		p = 140 bar (2000 psi)		p = 240 bar (3500 psi)			
		in <sup>3</sup> /rev	cm <sup>3</sup> /rev	gpm	lpm	gpm	lpm	gpm	lpm	hp	kw	hp	kw		
VT6DM VT6DP	B14	2.90	47.6	18.88	71.4	16.42	62.1	14.78	55.9	3.08	2.3	24.81	18.5	41.03	30.6
	B17	3.55	58.2	23.1	87.3	20.6	78.0	18.99	71.8	3.35	2.5	29.77	22.2	49.62	37.0
	B20	4.00	66.0	26.19	99.0	23.73	89.7	22.08	83.5	3.75	2.8	33.39	24.9	55.92	41.7
	B24	4.80	79.5	31.56	119.3	29.10	110.0	27.46	103.8	4.02	3.0	39.69	29.6	66.78	49.8
	B28	5.50	89.7	35.58	134.5	33.12	125.2	31.48	119.0	4.29	3.2	44.52	33.2	74.96	55.9
	B31	6.00	98.3	39.00	147.5	36.53	138.1	34.89	131.9	4.42	3.3	48.54	36.2	81.80	61.0
	B35	6.80	111.0	44.04	166.5	41.58	157.2	39.94	151.0	4.69	3.5	54.58	40.7	92.13	68.7
	B38	7.30	120.3	47.72	180.4	45.26	171.1	43.62	164.9	4.96	3.7	58.87	43.9	99.64	74.3
	B42 <sup>1)</sup>	8.30	136.0	53.96	204.0	51.50	194.7	49.86	188.5	5.36	4.0	66.25	49.4	112.24	83.7
	B45 <sup>1)</sup>	8.89	145.7	57.80	218.5	55.34	209.2	53.70	203.0	5.50	4.1	70.81	52.8	120.02	89.5
	B50 <sup>1,2)</sup>	9.64	158.0	62.69	237.0	60.23	227.7	59.25	224.0	5.90	4.4	76.44	57.0	113.98	85.0
	B61 <sup>1,3)</sup>	11.62	190.5	76.25	285.7	73.54	278.0	--	--	6.16	4.6	81.26	60.6	--	--

1) B42-B45-B50-B61 = 2200 RPM max. 2) B50 = 210 bar (3000 psi) max. int. 3) 061 = 120 bar (1740 psi) max. int. 061 = 80 bar (1160 psi) cont.